

## FOR USE

ALL FIRE ALARM SYSTEMS



## DUCUMENTATION

## DATASHEET

### Description

High Power Motor Siren

Motor siren series are suitable for using in the field of police, factory, marketplace, school, recreation ground, and so on.

Type ms-390 siren is high power siren.

**The voltage rang:** DC 12V/24V; AC220V.

**Colour:** RED.

**Mounting method:** Screwing mounting.

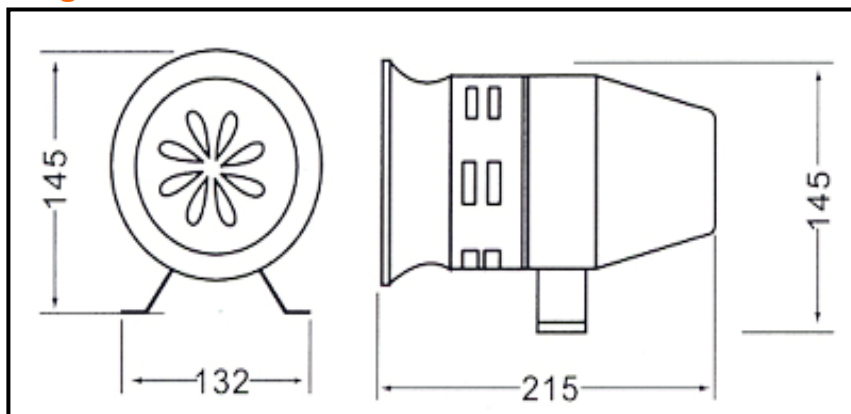
## CHARACTER

Motor siren series: Unique and scientific design, perfect for operation, safely and reliably. Beautiful performance become decoration with inner car that show very honour. It is suitable to various types car. Design and produced in accordance with GB standard. Character: Digital technology and single molectron make' performance steady and reliable. Additional functions of two sets switched of light control in the panel Design perfectly. Function: aux, yelp, hi-lo, wail-1, wail-2, siren, horn, super-siren. Yelp relay. Tool. Build in LID display, sound amplifying.

## SPECIFICATION

Model	FPE. MS-390
Volt	12DC,24DC,220VAC
Ampair	3 A ( AC 220 V 0.5 - 1 A )
RPM	4700-5000
Sound level	130db
Size	14.5x13.2x21.5x14.5

## Outline Drawing



# FIRE PROTECTION EQUIPMENT CO.,LTD

357/32 Moo4 Klongsongtunnun,  
Ladkrabang, Bangkok 10520

Tel:02-906-9141-3  
Fax:02-906-9144

E-mail:fpe11@hotmail.com

www.fpethailand.com