



LARGE ELECTROMECHANICAL SIREN

MODEL : FPE.LK-JDW145

CERTIFICATE OF CONFORMITY

REGISTRATION NO : VT07125701



LARGE ELECTROMECHANICAL SIREN



LARGE ELECTROMECHANICAL SIREN FPE.LK-JDW145

PERFORMANCE PARAMETER:

SOUND RATING:

123+,-2DB(A)@1M

ELECTRIC MOTOR:

0.4Kw, 110V/220V/230V,AC, 50/60H

IP RATING: IP44

OUTPUT FREQUENCY:

700/760+,-20Hz

SINGLE TONE

NET WEIGHT: 5.5 Kg

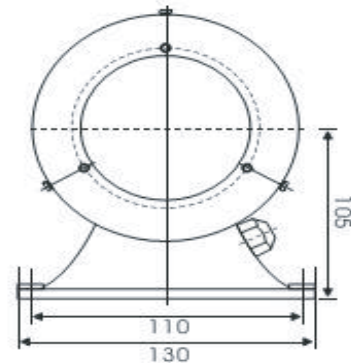
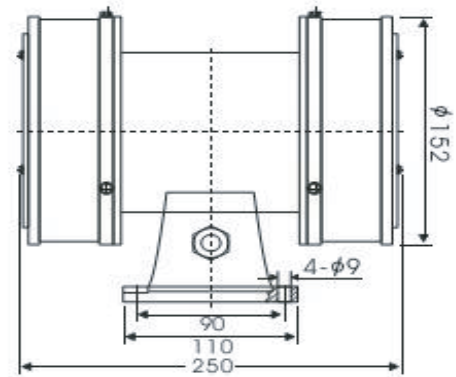
CARTON SIZE : 30 x 19 x 22.5 CM

DESCRIPTION :

LK-JDW145 is an omnidirectional siren for vertical mounting. Powered by a single phase or three phase motor. It is designed to be used in:

- Civil defence warning systems of major cities all over the world
 - Fire warning systems of community, main factories, mines, buildings, etc.
 - Warning for accidents of reservoirs, dams, jails, airports, army, etc.
- Please specify the voltage when placing orders with us.

DIMENSION :



(mm)